

HD IR (Infrared) IP Bullet Camera

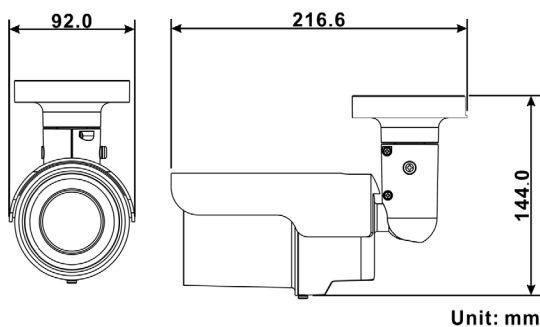
SY-BTM4.4-IR-LSB

The Synectics Low Light IR Bullet Camera matches great picture performance with the convenience of IR illumination inside a rugged housing.



The Synectics HD multi-stream bullet IP camera is equipped with a Sony Exmor™ progressive scan CMOS sensor providing outstanding video resolution and the capability to stream H.264 and H.265 simultaneously.

The IR bullet provides HD 50/60fps streaming or true WDR at 25/30fps. Coupled with its 4.4x AF zoom lens and IR illumination up to 40m, performance is assured in all lighting conditions. ONVIF Profile G, M, S, and T compliance ensures easy set up while IP66 guarantees optimum performance under challenging conditions.



HD 1080P	REAL TIME	ONVIF G M S T	IR 40m
60 FPS	TWDR	IP66 RATED	4.4x ZOOM
H.265	LOW LIGHT	TAMPER DETECTION	BACKFILLING
H.264	A·F	AAC	INTELLIGENT EDGE RECORDING

Specifications

CAMERA		SY-BTM4.4-LSB
Image Sensor	HD Sony 1/2.8" Progressive CMOS	
Effective Pixels	2720 (H) x 1976 (V)	
Resolution	H.265/H.264/MJPEG - 080p / SXGA / HD 720P / XGA / SVGA / D1 / VGA / CIF / QVGA	
Min Illumination Color	0.08 lux	
Min Illumination Black and White	0.008 lux (0.0Lux IR LED ON)	
Shutter Speed	1 ~ 1/10000 Second	
LENS		
Lens Mount	N/A	
Lens	4.4 x AF / 2.7 ~ 12 mm	
FOV	102.1° (Wide); 31.5° (Tele)	
f Number	F1.6 (Wide)	
P Iris	Y	
Focus Mode	Push AF, Zoom Trigger AF, Manual	
Digital Zoom	10x	
PTZ OPTIONS		
Pan Travel	N/A	
Tilt Travel	N/A	
Manual Speed	N/A	
Presets	N/A	
Preset Accuracy	N/A	
Preset Speed	N/A	
Sequence	N/A	
Auto Pan	N/A	
Cruise	N/A	
Proportional Pan/Tilt	N/A	
Home Function	N/A	
Auto Flip	N/A	
Image Rotation	Mirror / 0° / 90° / 180° / 270°	
STREAMING OPTIONS		
Compression	MJPEG / H.265 / H.264	
ONVIF Profile	G / M / S / T	
Stream*2	Stream 1: (2688 x 1944), (2592 x 1944), (2688 x 1512), 1080p (1920 x 1080), SXGA (1280 x 1024), 720p (1280 x 720), SVGA (800 x 600), D1 (720 x 480) Stream 2: (2688 x 1944), (2592 x 1944), (2688 x 1512), 1080p (1920 x 1080), SXGA (1280 x 1024), 720p (1280 x 720), XGA (1024 x 768), SVGA (800 x 600), (960 x 544), D1 (720 x 480), VGA (640 x 480), (640 x 360), (352 x 240), (320 x 240), QVGA (352x288), CIF (320x240) Stream 3 & 4: SXGA (1280 x 1024), 720p (1280 x 720), XGA (1024 x 768), SVGA (800 x 600), (960 x 544), D1 (720 x 480), VGA (640 x 480), (640 x 360), (352 x 240), (320 x 240), QVGA (352x288) CIF (320x240)	
Min/Max Bitrate	64 kb/s to 20.48 Mb/s	
Max Number Unicast Streams	15	

OPERATION	
ICR	Auto / On / Off / Smart
LED Numbers	8
LED Distance	Up to 40m
White Balance*1	Auto / ATW / Smart / One Push / Smart One Push / Manual
NR	3D / 2D / Color
BLC	On / Off
WDR	True WDR (120dB)
DIS / EIS	N/A
Motion Detection	On / Off / Schedule
Privacy Mask Type	8 Colors / 5 sets
Tamper Alarm	On / Off / Schedule
Audio Type	Line in / Line Out
Audio In	G.711 / G.726 / AAC / LPCM
Audio Out	G.711 / G.726 / AAC / LPCM
Audio Sample Rate	ACC: 48000 (Other: 8000)
Analog Out	N
Heater	Y
Fan	N/A
Alarm Input	1 Set 5V 10kΩ Pull Up
Alarm Output	2 Set Photo Relay Output 300V DC/AC
Event Notification	HTTP / FTP / SMTP
Synectics Intelligent Edge Recording*1	Y
On Board Storage	Up to 60 Seconds (Synectics Intelligent Edge Recording only)
SD Card Support*3	microSDXC 128GB Support
Ethernet Connector	RJ-45 Cable
Power Connector	2 Pin Terminal Block
I/O connector	5 Pin Terminal Block
Protocol*3	ARP, PPPoE, IPv4/v6, ICMP, IGMP, QoS, TCP, UDP, DHCP, UPnP, SNMP, SMTP, RTP, RTSP, HTTP, HTTPS, FTP, NTP, DDNS, ONVIF G, ONVIF M, ONVIF S, ONVIF T
Security	User Authentication / HTTPS / IP Filter / IEEE 802.1X
ENVIRONMENTAL	
Operating Temperature	-20°C ~ 60°C (-4° ~ 140°F)
Storage Temperature	-20°C ~ 70°C (-4°F ~ 158°F)
Humidity	10% ~ 90%, No Condensation
Vandal Resistant	N/A
IP Rating	IP66
GENERAL	
Power*2	AC24V / PoE(802.3at) / DC12V
Power Priority 1	No priority. First connected power used
Power Priority 2	N/A
Power Priority 3	N/A
Power Failover	N/A
PoE Classification	Class 0
Power Consumption (Total Unit)	15 VA Max
Dimensions	Ø 91 x 216.6 mm / Ø 3.58" x 8.53"
Weight	780 g / 1.72 lb
Certificates	CE / FCC

*1 Features are related to the firmware version. Please contact your Synectics representative for more details. *2 Maximum permissible resolution, bit-rate and frame-rate will be reduced dependent on the configuration of the primary stream. *3 A supported SD memory card is required for profile G. Please refer to manual for more detail.

Specifications subject to change. E & OE.